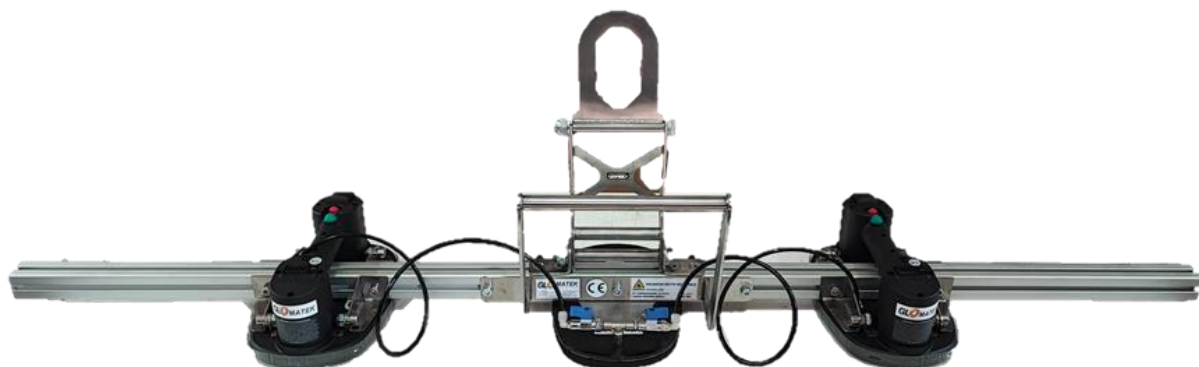




INSTRUCTION MANUAL



Adjustable Straight Rocker For GRABO[®] suction cups

GLOMATEK, S.L.

Soluciones para la marmolería

Ctra. Masnou, Km. 14 Nav 2
08402 GRANOLLERS (Barcelona)
Tfnos: 600 41 06 90 - 656 79 43 64
Glomateksl@gmail.com



IDENTIFICATION DATA OF THE SUSPENSION TOOL

Type	Adjustable straight rocker.
Model	BVG40AL1650
Serial number.....	2207010
Unladen tool weight	10,60 kg.
Year of production	2.022
Suspension beam length	1.650 mm
Maximum load	250 kg.
Upper suspension type	Single swingarm eyelet.
Tilt type	Manual.
Block system	Mechanical (two pins).
Central passive suction cup	Maximum load capacity 125 Kg.
Lower suspension type	2 x adjustable supports for GRABO® suction cups

REMEMBER that the lifting elements that can be added to the tool must comply with the following regulations:

EN 818-4 EN 818-5 EN 13414-1 EN 1492-1 EN1492-2

DECLARATION OF CONFORMITY



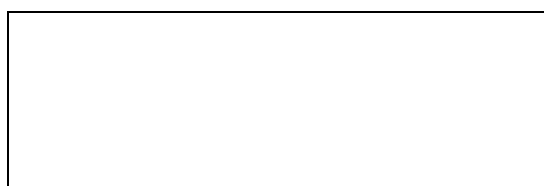
The owner **GLOMATEK, S.L.**
Ctra. Masnou, Km. 14 Nav 2
08402 GRANOLLERS (Barcelona)

Declares that the SUSPENSION TOOL:

Model: **BVG40AL1650**
Serial number: 2207010

To which this declaration refers, it complies with and is in accordance with the provisions of Standard EN 13155 and directive 2006/42/EC.

In Granollers, on July 27, 2022



GLOMATEK, S.L.
Signed: Jesús Redondo Luquin

**FOR YOUR OWN SAFETY, READ THIS MANUAL
CAREFULLY BEFORE USING THE SUSPENSION TOOL**

This instruction manual must be kept in a well-known place and easily accessible to all users of the rocker.

All BVG40AL1650 rocker arms are built to perform their function safely and efficiently, provided they are used correctly and for the function for which they are intended.

Compliance with these rules while using the rocker can help your safety, but it will never replace your prudence and caution when using it.

**GLOMATEK, S.L. IS NOT RESPONSIBLE FOR ANY DAMAGE THAT
THE ROCKER MAY CAUSE IF IT IS USED FOR A USE FOR WHICH
IT WAS NOT MANUFACTURED..**

It is important to follow as rigorously as possible the chapter on Safety Standards and Tips for Use.

In any case, it is not possible to evaluate all the risks that may occur in each job, so users must avoid and correct those that are not specified in this manual.

Remember that you are directly responsible for your safety

EXPECTED USE

This rocker has been designed and manufactured so that two autonomous GRABO® battery-powered suction cups can be attached to its width-adjustable parts.

The maximum load capacity is 250 kg. in a horizontal or vertical position, as long as all three suction cups are attached, regardless of the load that each suction cup can lift. **If the central suction cup is deactivated, it will be necessary to subtract 50% from the load capacity.** At least one suction cup must be active on each side of the suspension handle, in order to balance the load.

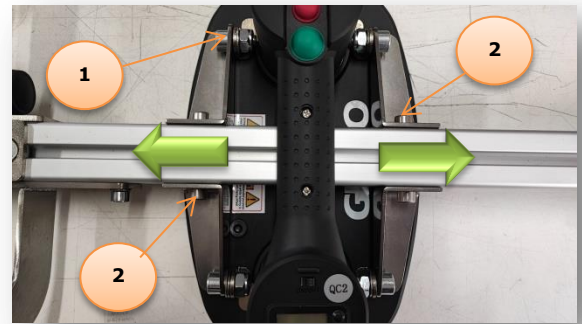
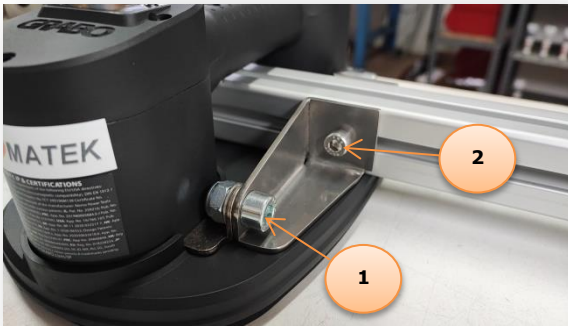
Any other use other than that provided for in this section is expressly prohibited, and the responsibility for it will be borne by the person who carries it out.

Regarding vacuum clamping with GRABO® suction cups, carefully read and follow the instructions for use of the same, in the corresponding manual.

The load capacity of the Rocker + Suction Cups assembly can be reduced depending on the type of material, the level of vacuum, or the state of the batteries.

INSTALLING THE SUCTION CUPS

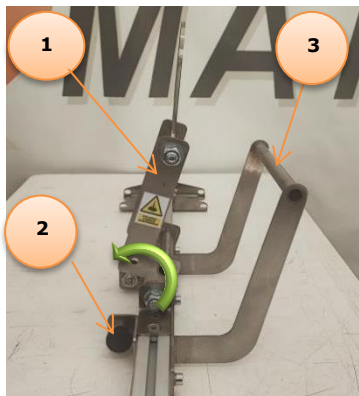
To use the rocker correctly, the GRABO® suction cups must be installed on the sliding supports provided for it.



- Use screws no. 1 (4 units per suction cup) to fix the suction cups to the sliding supports of the rocker arm as indicated in the images. Ensure correct tightening of the same.
- By means of screws no. 2 (4 units per suction cup) the suction cups can be moved along the width of the rocker arm, to the desired position. Screws no. 2 must be fixed once the suction cups have been positioned, and before use.
- Be sure to install the two suction cups in the same direction. It is recommended to install the suction cups with the screens on the handlebar side of the rocker arm.

FUNCTIONING

Once the suction cups have been installed on the rocker, in order to use it, it must be hung by the suspension handle. If the hook of the crane or manipulator is not compatible with the suspension handle, elements such as shackles or slings that meet the standards indicated in the IDENTIFICATION DATA section may be used.



The suspension handle no. 1 is articulated and has two mechanical stoppers, to be able to handle the boards vertically (handle locked) or horizontally (handle unlocked).

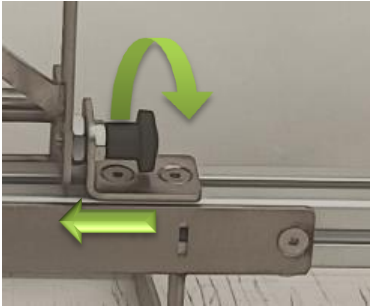
To lock and unlock the handle, the load must always be supported, or the dipper unloaded. So that no force is exerted on blockers no. 2.

During handling, and to accompany the rocker, we can grab it from its handlebar no. 3. This handlebar allows us to exert a certain force, to be able to slightly tilt the load.

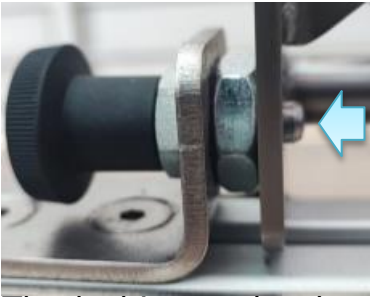


Blockers no. 2 work by pulling them and turning them slightly in any direction, so that they stay collected.

This position allows us to work with the suspension handle unlocked, and is used to handle the boards horizontally. In a horizontal position, it must be ensured that the boards allow this type of manipulation without breaking, due to fragility.



To block the suspension handle, and to be able to manipulate boards vertically, we will articulate the handle towards the blockers until it reaches the stop, and we will rotate them, making the internal spring that they incorporate slide the blocking bolt into the holes of the suspension handle.



Before lifting the load, we must make sure that the lock is effective on both clamps, and that there is no risk of accidental unlocking.

We can easily check this by observing that the bolt protrudes from the hole in the suspension handle, as shown in the image.

The lashing and unloading of the load using the GRABO® suction cups is carried out by means of a vacuum, which is generated by the suction cups themselves. These incorporate a battery-powered vacuum pump.

Follow the instructions included in these suction cups at all times, in terms of operation, mooring, release and safety advice.



Example of handling with the board horizontal and the handle not locked.



Example of handling with the board vertical and the handle locked.

WARRANTY

BVG40AL1500 rocker arms have a **12-month** limited warranty against any manufacturing defects from the date of sale. This guarantee includes only labor and spare parts. In no case the change of the rocker

Damages caused by lack of maintenance, natural wear, overload or improper handling are excluded from the guarantee.

Also if the rocker arm has been disassembled, manipulated, modified, repaired or mistreated by someone other than the SELLER's technical department, the guarantee will be void.

SAFETY RULES AND ADVICE FOR USE

1. Never apply a load greater than that indicated as maximum load **(250 KG.)**
2. Only qualified operators may use this appliance.
3. This appliance must be visually and mechanically inspected before being used.
Do not use the rocker if defective or deteriorated material is detected.
4. If you use auxiliary suspension elements, they must comply with the corresponding regulations: EN 818-4 EN 818-5 EN 13414-1 EN 1492-1 EN1492-2.
5. Suspend the load above its center of gravity.
6. When driving, avoid sudden braking and starting.
7. Do not pull the load in an oblique direction.
8. Keep the rocker horizontal, with a maximum of 6° inclination.
9. Maintain visibility when operating with the stick loaded or unloaded.
10. Never stand under the load.
11. Do not store or position the rocker in a vertical position.
12. Manipulate the rocker from its handlebar, maintaining the principles of ergonomics.
13. Keep the product neat and in good maintenance conditions.
14. Any modification/repair must be carried out by authorized personnel.



DANGER SUSPENDED LOADS



THE USE OF THE GRABO SUCTION CUPS WHILE THE BATTERY IS LOW, MAY CAUSE INJURIES TO THE OPERATOR, AND DAMAGE TO THE MATERIAL BEING HANDLED.

During the complete development of the operation, the operators must be equipped with the mandatory safety elements (harness where appropriate).



MANDATORY USE OF A HELMET.



MANDATORY USE OF GLOVES.

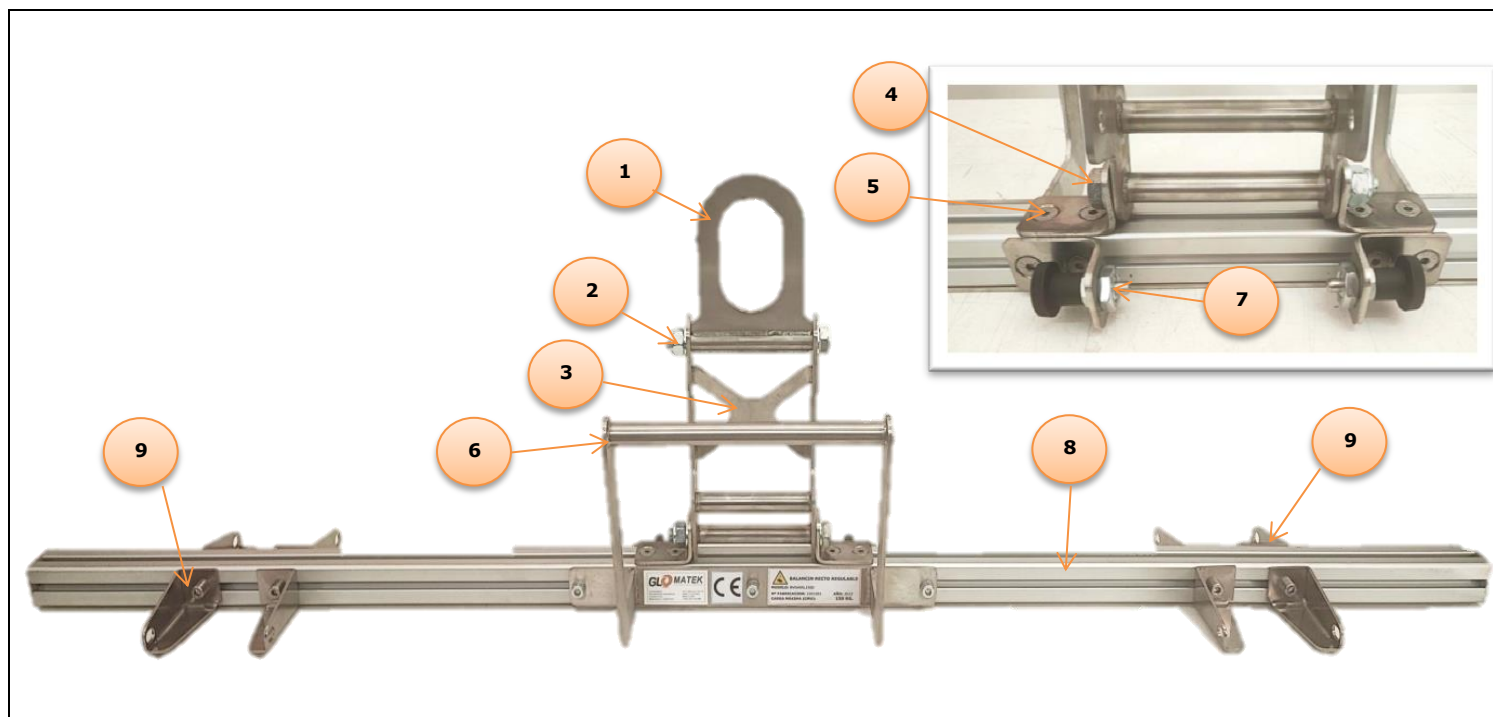


MANDATORY USE OF SAFETY FOOTWEAR



MANDATORY USE OF HARNESS (See cases)

MAIN PARTS OF THE ROCKER



Nº	DESCRIPTION	Nº	DESCRIPTION
1	SWINGARM TOP EYELET	6	HANDLING HANDLE
2	UPPER JOINT SUSPENSION HANDLE	7	SUSPENSION HANDLE LOCKERS
3	SUSPENSION HANDLE STRAPS	8	FRAME L= 1500 MM
4	LOWER JOINT SUSPENSION HANDLE	9	SET OF SLIDING SUPPORTS FOR GRABO®
5	ANCHORAGE OF THE SUSPENSION HANDLE		

PASSIVE CENTRAL SUCTION CUP ACTIVATION



In order for the central suction cup to work together with the GRABO® suction cups to which it is connected, the position of the valves must be as indicated in the image, with the valve controls in line with them.

In this way, when the GRABO® suction cups are activated, this central suction cup will also be activated.

With the three active suction cups the **maximum load capacity will be 250 kg.**

PASSIVE CENTRAL SUCTION CUP DEACTIVATION



In order for the central suction cup NOT to work together with the GRABO® suction cups to which it is connected, the position of the valves must be as indicated in the image, with the valve knobs perpendicular to them.

In this way, when the GRABO® suction cups are activated, this suction cup will not be activated.

With the central suction cup deactivated, the **maximum load capacity will be 125 kg.**

GLO  **MATEK**
SOLUCIONES PARA LA MARMOLERÍA